

Making a 6-Board Chest

By Matthew Fonner (SKA Mathaeus Blades)

This is a small, simple chest to hold whatever you want to. Lady Theodora, High Chieftess of Clan Wulfgard, uses the one that her Lord made for her as a kitchen box when on camping events.

Equipment needed:

- Tape measure and pencil
- Long straight-edge for marking lines
- Circular saw with ripping guide (or a table saw if you have one)
- Jig-saw (or band-saw if you have one)
- Drill, drill bits, and screwdriver (if you are going to screw the chest together)
- Hammer and 2" nails (if nailing the chest together)
- Sand-paper (or finish sander if you have one)

Materials:

- Two 6-foot long boards of 1" by 12" lumber
- Box of 2" nails (if nailing) or a box of 2" wood screws (if screwing)
- Stain or paint, and a top-sealer for finishing your box
- Hinges to attach the top with
- Handles for the sides (or you can drill holes through the sides and use a length of rope for handles)

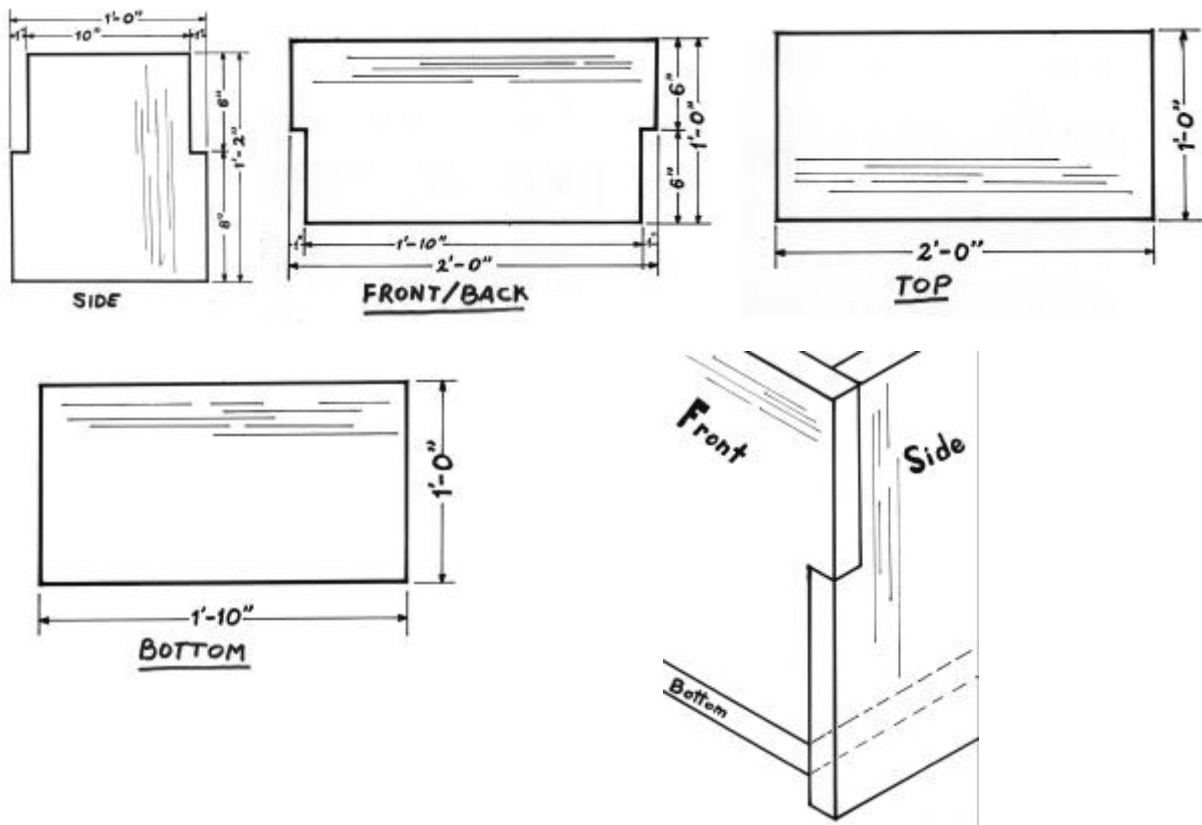
NOTICE: The dimensions given here are for what one could call "ideal" lumber. The lumber that you buy at the lumber-yard (Home Depot, Lowes, Hechinger, etc.) is cut and planed and is NOT "ideal". The lumber you get will be 6 feet long, but the other two dimensions will be between 1/8" to 1/4" smaller. Be sure to make your measurements based on the lumber you have purchased.

Procedure:

Ok, now to get started with the marking and cutting! (Re-read the notice above)

- 1) Mark out the front, back and bottom pieces on one of the 6' boards. For the notches, measure your board's width and divide that in half (if your board were 11-3/4" rather than 12", mark the center at 5-7/8"), and be sure to measure your board's thickness and cut the notch that "deep" instead of the listed 1".
- 2) On the other board, mark out the top and two sides (again, make the notches and width of the bottom based on the dimensions of your lumber).
- 3) Cut out the 6 pieces. Be very careful when cutting out the notches, as they should fit flush when the chest is finished.
- 4) Sand the pieces smooth. It is easier to do this step now, rather than trying to sand the inside when the chest is assembled.
- 5) If you are planning to use wood-screws to construct the box, be sure to drill pilot holes first! If you are going to nail the box together, a very small pilot hole (say 1/16") could be useful if just to help keep the nails going straight.
- 6) Examine the figures included here, and see how the front/back and sides fit together. The sides (where you will be lifting from) should support the front and back.
- 7) Attach one side to the front. Remember, if using screws, be sure to drill your pilot holes into BOTH pieces to prevent either one from splitting.

- 8) Attach the back to the same side, then attach the other side.
- 9) Nail/screw the bottom in place. Attach the bottom to the bottom of the front and back, and nail/screw through the sides into the ends of the bottom.
- 10) Using the hinges, attach the top to the back. You can now sand the “sharpness” off the corners, or if you want to (and have the tools) use a router with a quarter-round bit to round the corners.
- 11) Stain/paint/seal. Follow the directions for your chosen method of finishing.
- 12) You might want to attach a short length of chain or cord from the inside of the top to the inside of one of the sides. This will prevent the lid from flipping all the way over and possibly pulling the hinges out.



These plans and figures are Copyrighted © 1998 by Matthew Fonner
 Do not make any changes to this work, or this notice without permission.
 Please ask permission before re-publishing, but feel free to give copies to friends.
 You can contact me via e-mail at: mathaeus@juno.com or mathaeus@digizen.net